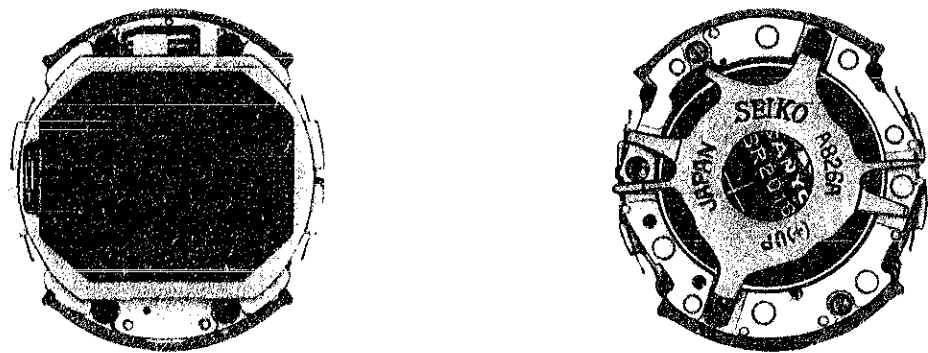


TECHNICAL GUIDE

SEIKO DIGITAL QUARTZ

CAL. A826A



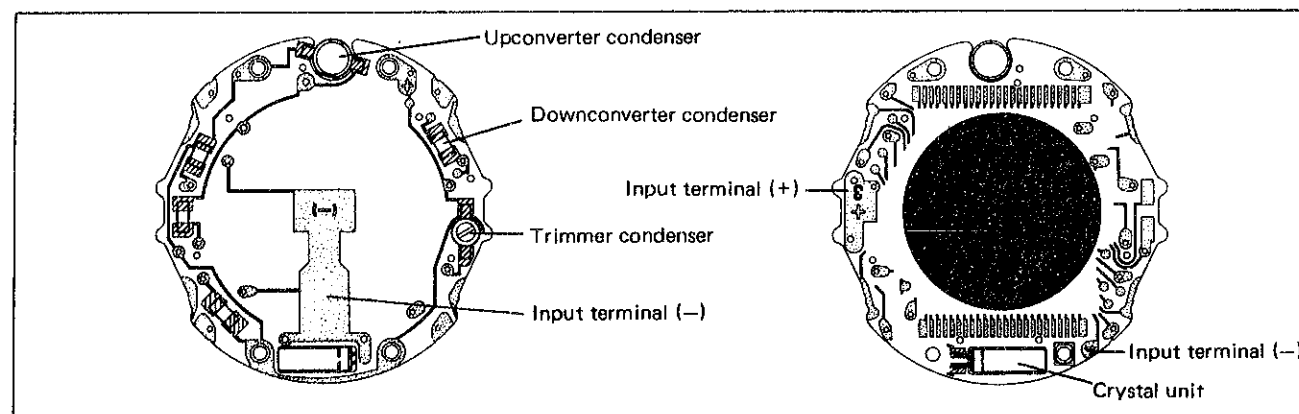
CONTENTS

I. SPECIFICATIONS	1
II. STRUCTURE OF THE CIRCUIT BLOCK	1
III. DISPLAY FUNCTION	2
IV. DISASSEMBLING, REASSEMBLING, AND LUBRICATING OF THE CASE	3
V. DISASSEMBLING AND REASSEMBLING OF THE MODULE	5
VI. CHECKING AND ADJUSTMENT	7

I. SPECIFICATIONS

Cal. No.		A826A
Item		
Display medium	Nematic Liquid Crystal, FEM (Field Effect Mode)	
Liquid crystal driving system	Multiplex driving system	
Display system	<ul style="list-style-type: none"> • Time and calendar function • Stopwatch function (up to 12 hours) • Point function (Target time to reach up to 8 points can be set.) • Training timer function (with Split memory) • Repeat function 	
Additional mechanism	<ul style="list-style-type: none"> • Hourly time signal • Alarm test system • Function changeover confirmation sound ("beep") • Illuminating light • Automatic calendar display system (except February of leap years) 	
Loss/gain	Monthly rate at normal temperature range: less than 15 seconds	
Movement size	Outside diameter	$\phi 31.4$ mm (29.6 mm between 6 o'clock and 12 o'clock sides) (27.6 mm between 3 o'clock and 9 o'clock sides)
	Casing diameter	$\phi 28.0$ mm
	Height	4.9 mm
Regulation system	Trimmer condenser	
Measuring gate by quartz tester	Any gate is available.	
Battery	Lithium battery Sanyo CR2016, Maxell CR2016, Matsushita BR2016 Battery life is approximately 3 years. Voltage: 3.0V for Sanyo CR2016, Maxell CR2016 2.8V for Matsushita BR2016	

II. STRUCTURE OF THE CIRCUIT BLOCK

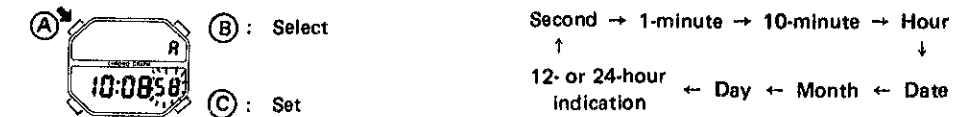


III. DISPLAY FUNCTION

The display changes by turning the rotating ring to match up each mode selection word to the mode mark "Δ".

TIME How to set the time and calendar

- Depress button "A" to activate the time/calendar setting function.

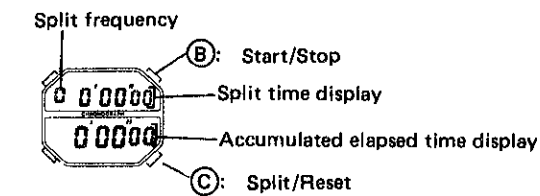


- How to engage and disengage the hourly time signal
Push buttons "B" and "C" at the same time.

Colon	Hourly time signal
:	Disengaged
⋮	Engaged

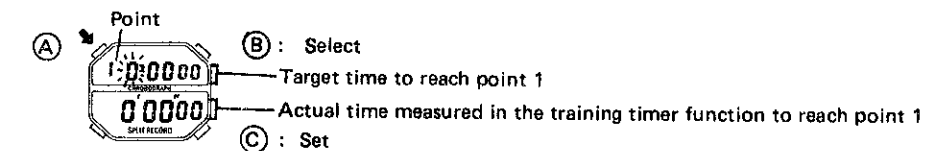
- *The alarm test system can also be activated by depressing buttons "B" and "C" at the same time.

STOPW. How to use the stopwatch

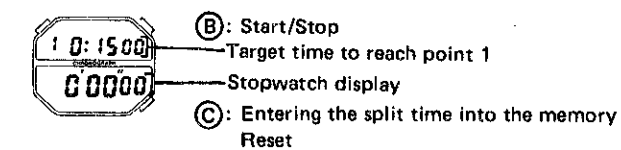


PT.1 ~ PT.8 How to set the target time

- Ex.: Target time to reach point 1
Depress button "A" to activate the target time setting function.

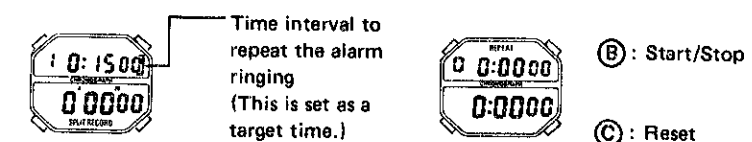


TRAINING How to use the training timer function



REPEAT How to use the repeat function

- First, check that a target time is set for PT.1 and other desired point modes.



IV. DISASSEMBLING, REASSEMBLING, AND LUBRICATING OF THE CASE

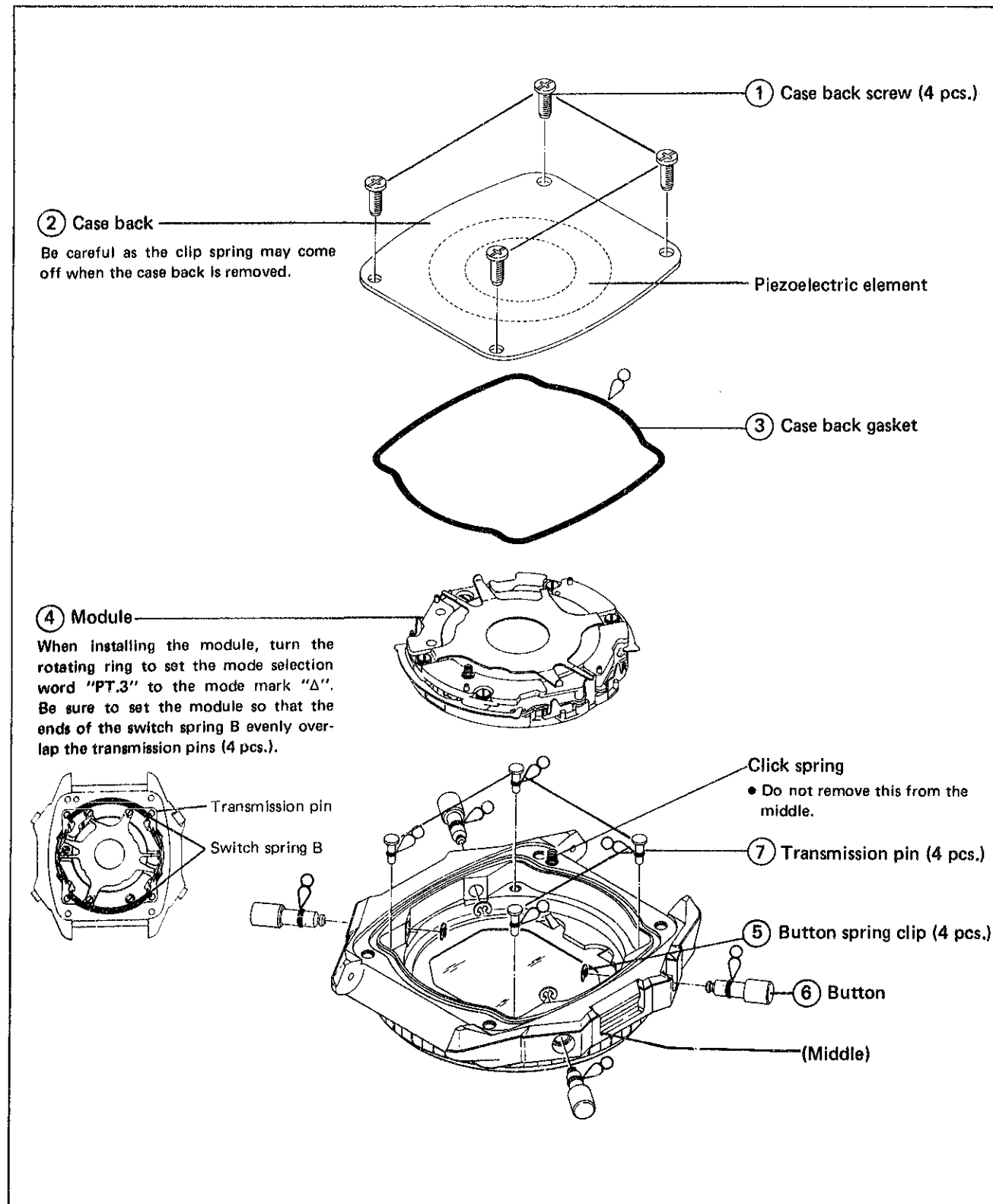
Disassembling procedures Figs. : ① → ⑬

Reassembling procedures Figs. : ⑬ → ①

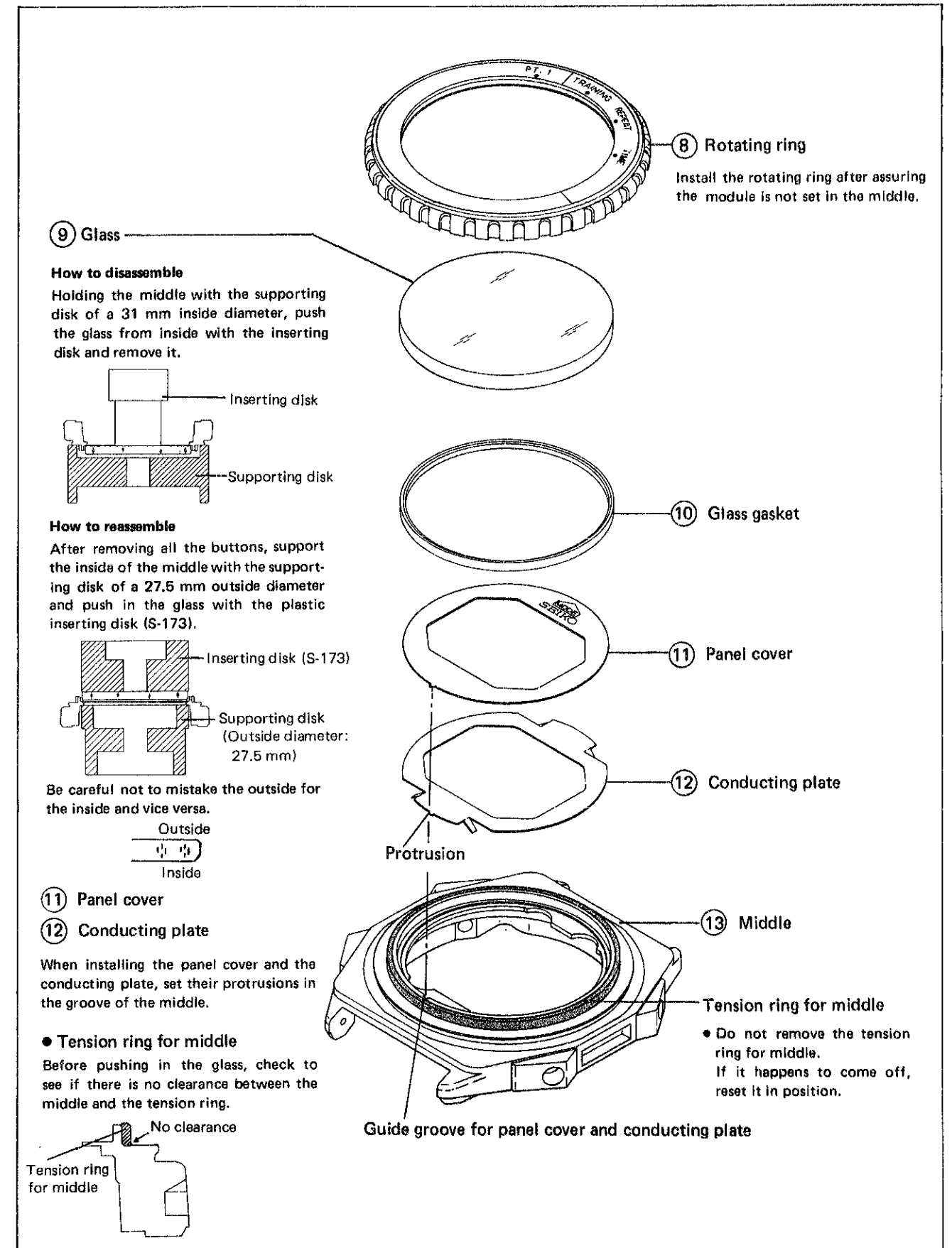
Lubricating: Silicon grease 500,000 c.s.

∞ Normal quantity

1. Case back screw ~ Transmission pin



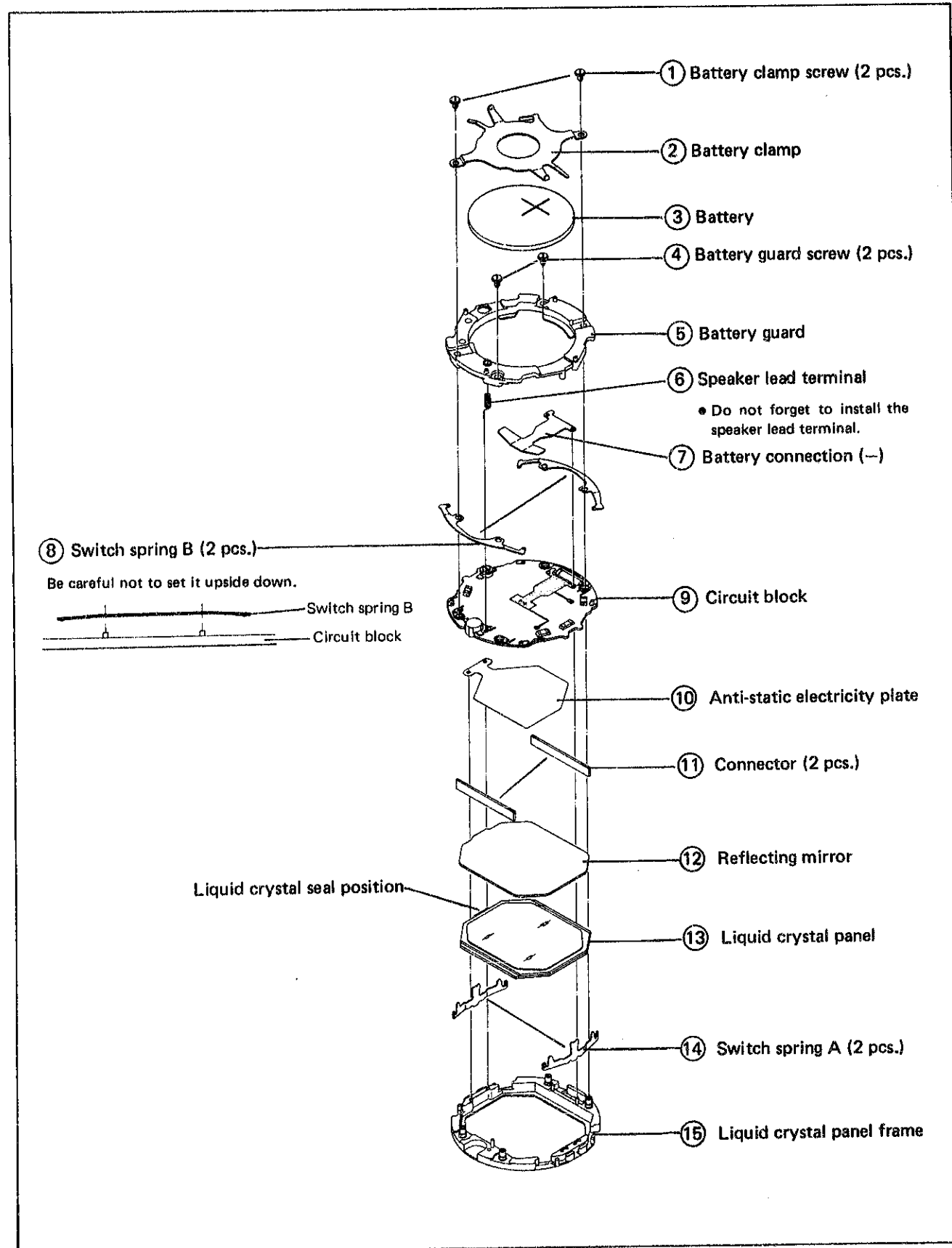
2. Rotating ring ~ Middle



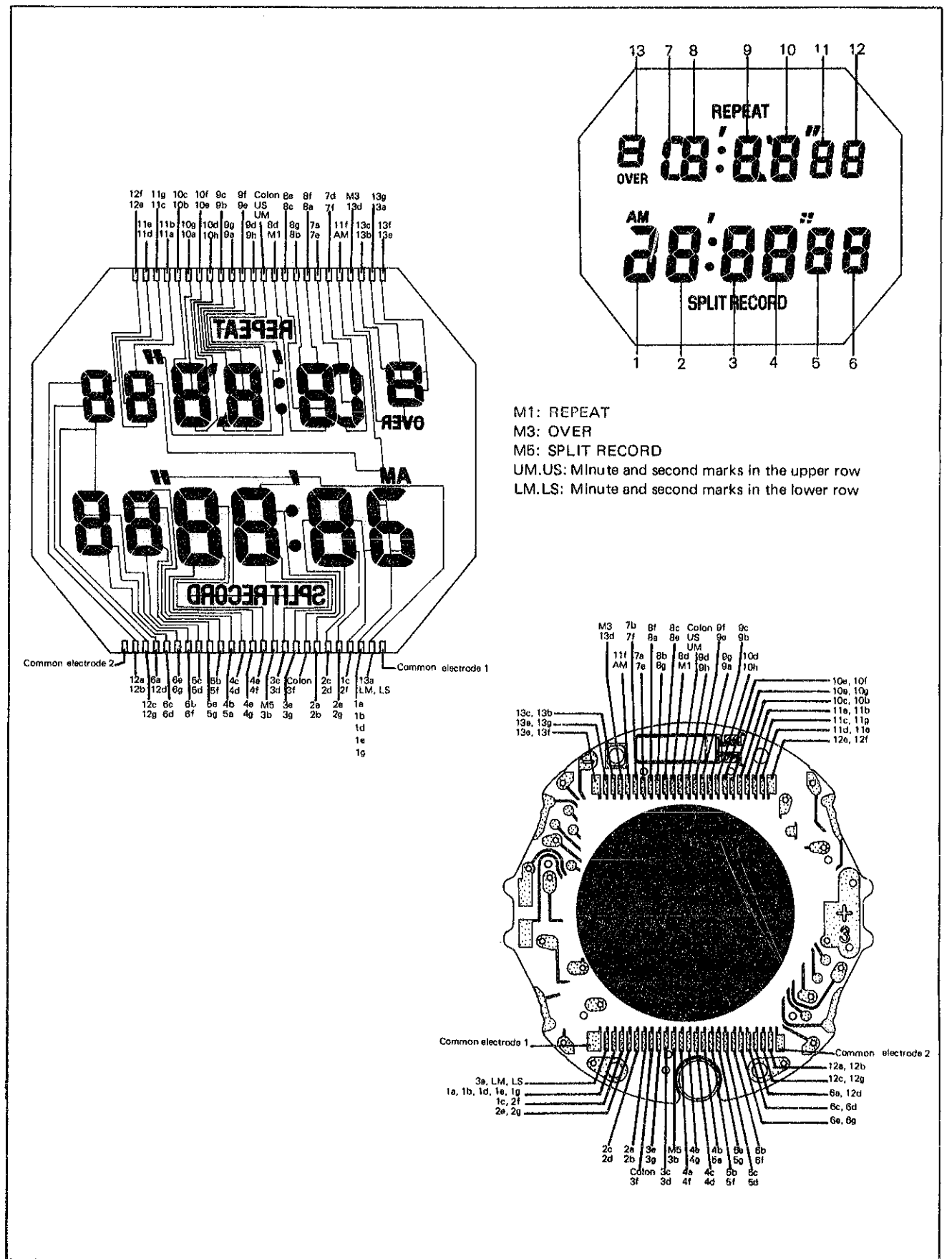
V. DISASSEMBLING AND REASSEMBLING OF THE MODULE

Disassembling procedures Figs. : ① → ⑮

Reassembling procedures Figs. : ⑮ → ①



• Relationship between the segment (Liquid Crystal Panel Electrode) and the C-MOS-LSI output terminal



VI. CHECKING AND ADJUSTMENT

For checking and adjustment, refer to the "TECHNICAL GUIDE, SEIKO DIGITAL QUARTZ Cal. A829A".
The following procedures of Cal. A826A, however, differ from those of Cal. A829A.

Procedure
Remarks ● After checking battery voltage or replacing battery, depress the 4 buttons at the same time.
CHECK ALL SEGMENTS LIT UP
Not needed
CHECK ACCURACY
Measure the daily rate in a function where the display does not change.
CHECK ALARM CONDITION
Check the upconverter coil. Result: Normal: 120Ω - 180Ω Defective: Less than 120Ω (Short circuit) More than 180Ω (Broken wire)
OTHERS
● Caution when receiving repair requests Care should be taken not to expose the watch to a high temperature over 80°C, as its time display may become distorted, or its memory may be changed or extinguished. If a watch is requested to be repaired for such a symptom, place it first in normal temperature (5°C ~ 35°C), and then push all the 4 buttons at the same time or short-circuit the AC (all clear) terminal of the circuit block with tweezers. After that, adjust the time and set the memory again.
