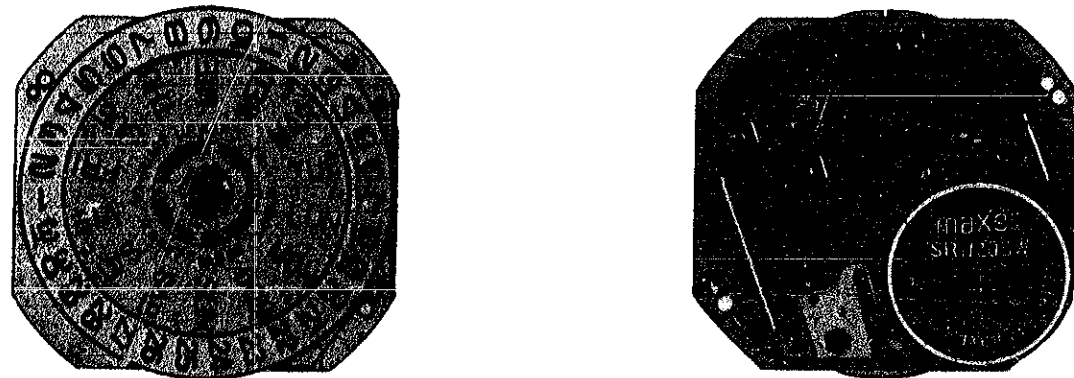


TECHNICAL GUIDE

SEIKO
QUARTZ

CAL.6423A
CAL.6429A



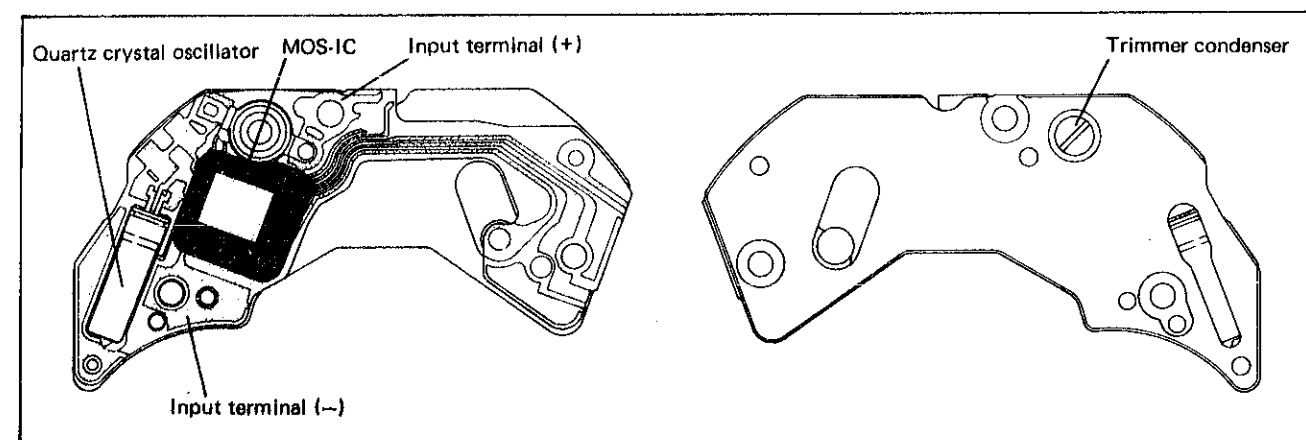
CONTENTS

I. SPECIFICATIONS	1
II. STRUCTURE OF THE CIRCUIT BLOCK	1
III. DISASSEMBLING, REASSEMBLING AND LUBRICATING	2
1. Calendar mechanism	3
2. Circuit block, coil block and gear train	4
3. Setting mechanism	5
IV. CHECKING AND ADJUSTMENT	6
• Check output signal	6
• Check hand condition	6
• Check battery voltage	6
• Check battery conductivity	6
• Check circuit block conductivity	6
• Check coil block	6
• Check reset condition and train wheel setting condition	6
• Check gear train mechanism	7
• Check setting mechanism and calendar mechanism	7
• Check accuracy	7
• Check current consumption	7
• Check water resistance	7
• Check appearance and functioning	7

I. SPECIFICATIONS

Item	Cal. No.	6423A	6429A
	Time indication		3 hands
Additional mechanism		Day and date	Date
		Train wheel setting (stops every second)	-
		Battery life indicator	-
		Electronic circuit reset switch	-
Loss/gain		Loss/gain at normal temperature range Monthly rate : less than 15 seconds (Annual rate : less than 3 minutes)	
Movement size		φ26.0mm (21.3mm between 3 o'clock and 9 o'clock sides, 22.8mm between 12 o'clock and 6 o'clock sides)	
Casing diameter		φ24.0mm (20.5mm between 3 o'clock and 9 o'clock sides, 22.5mm between 12 o'clock and 6 o'clock sides)	
Height		2.7mm without battery	
Regulation system		Trimmer condenser	
Measuring gate by Quartz Tester		Any gate is available.	
Battery		SEIKO TR1120SW, Maxell SR1120SW, or U.C.C. 381. Battery life is approximately 2 years. Voltage: 1.55V	
Jewels		7 Jewels	

II. STRUCTURE OF THE CIRCUIT BLOCK



III. DISASSEMBLING, REASSEMBLING AND LUBRICATING

Disassembling procedures Figs.: ① - ④③

Reassembling procedures Figs.: ④③ - ①

● Lubricating

Moebius A

SEIKO Watch Oil S-6

Silicone grease 500,000 c.s.

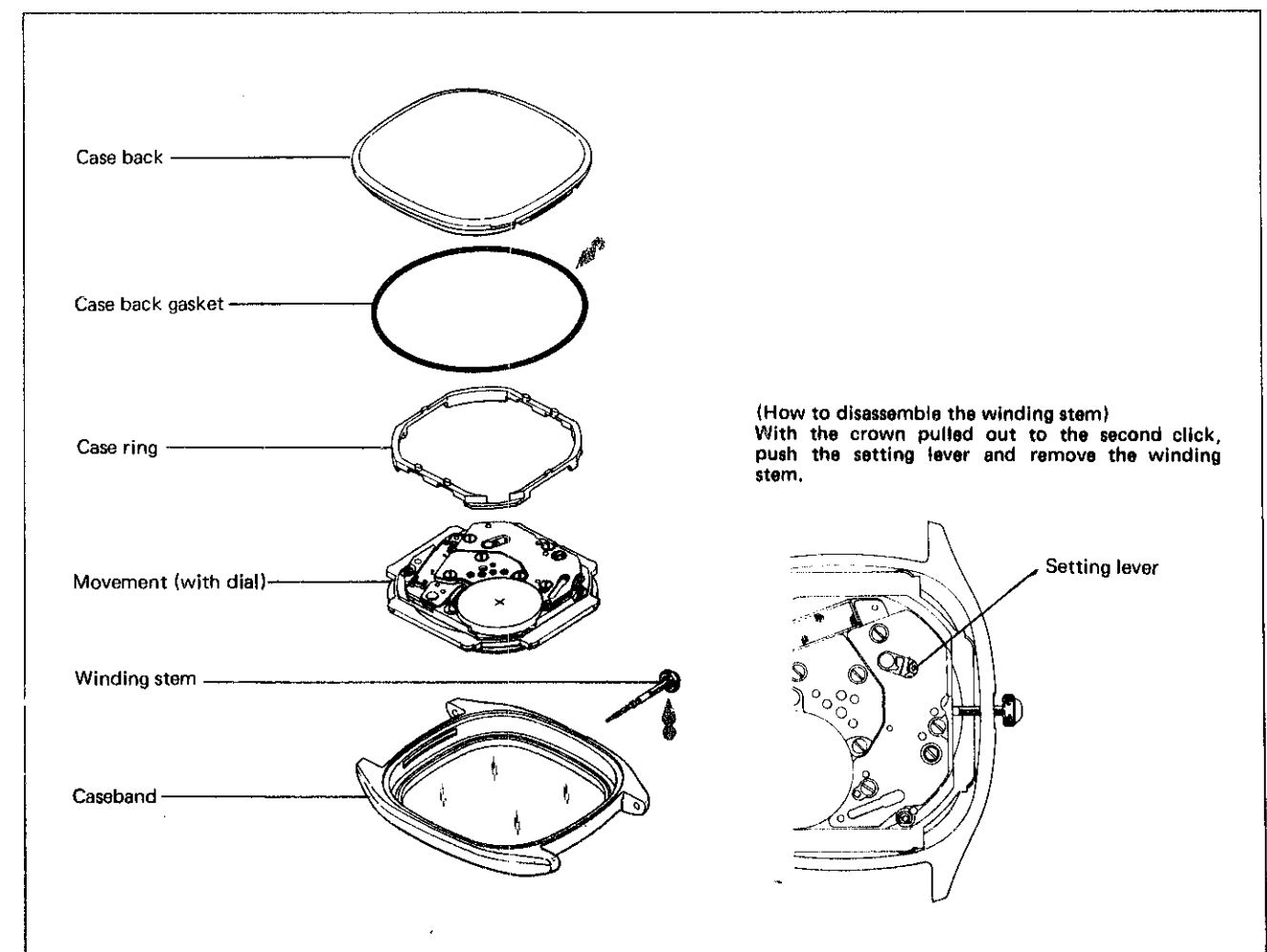


● Use the movement holder S-667 or S-680 (for 56 series).

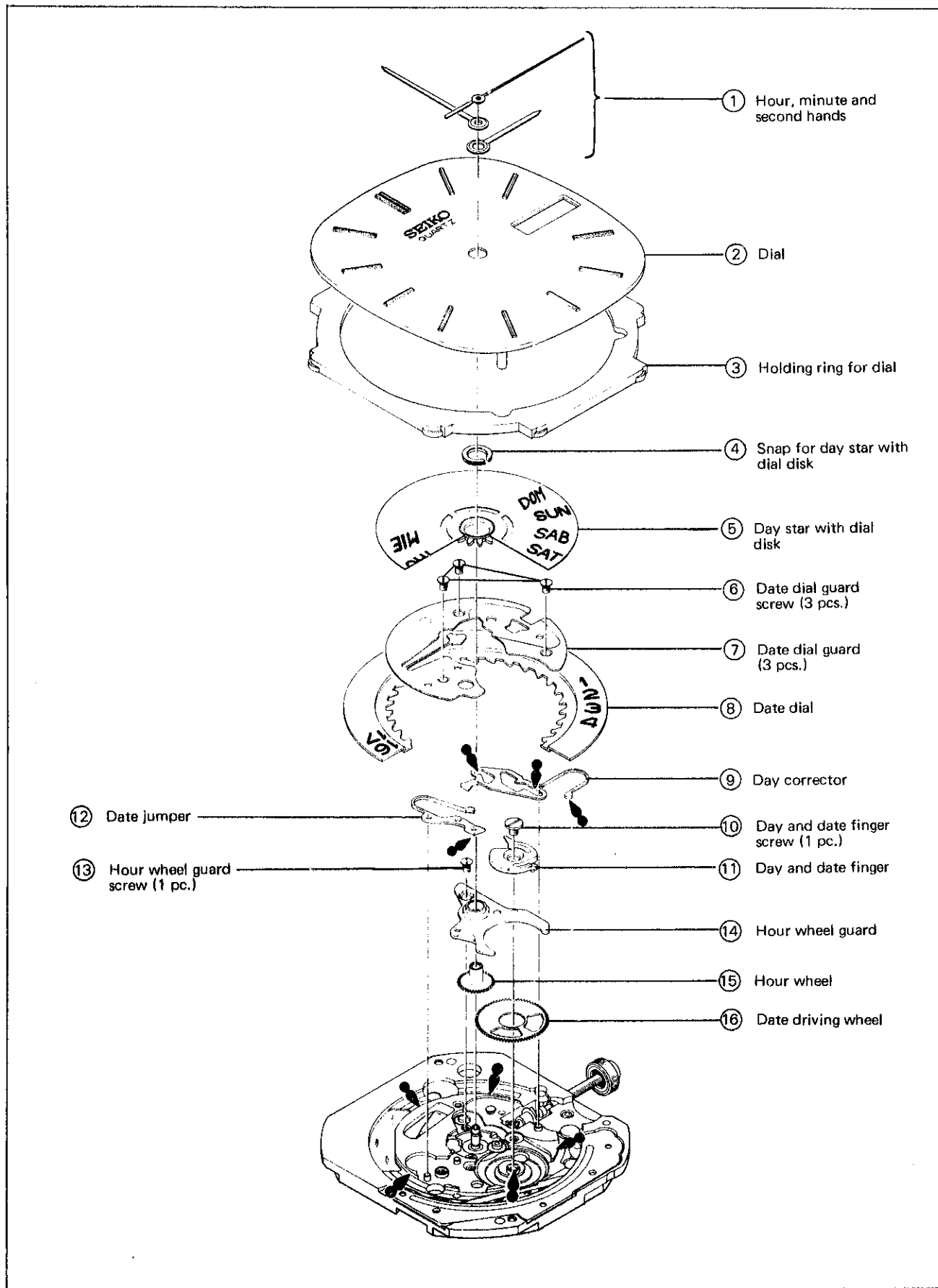
● List of screws used

Shape	Parts No.	Name	Shape	Parts No.	Name
	022 411	Train wheel bridge screw		022 754	Date dial guard screw
		Circuit block screw			Hour wheel guard screw
		Battery connection (+) screw			
		Setting lever spring screw			
		Day and date finger screw			

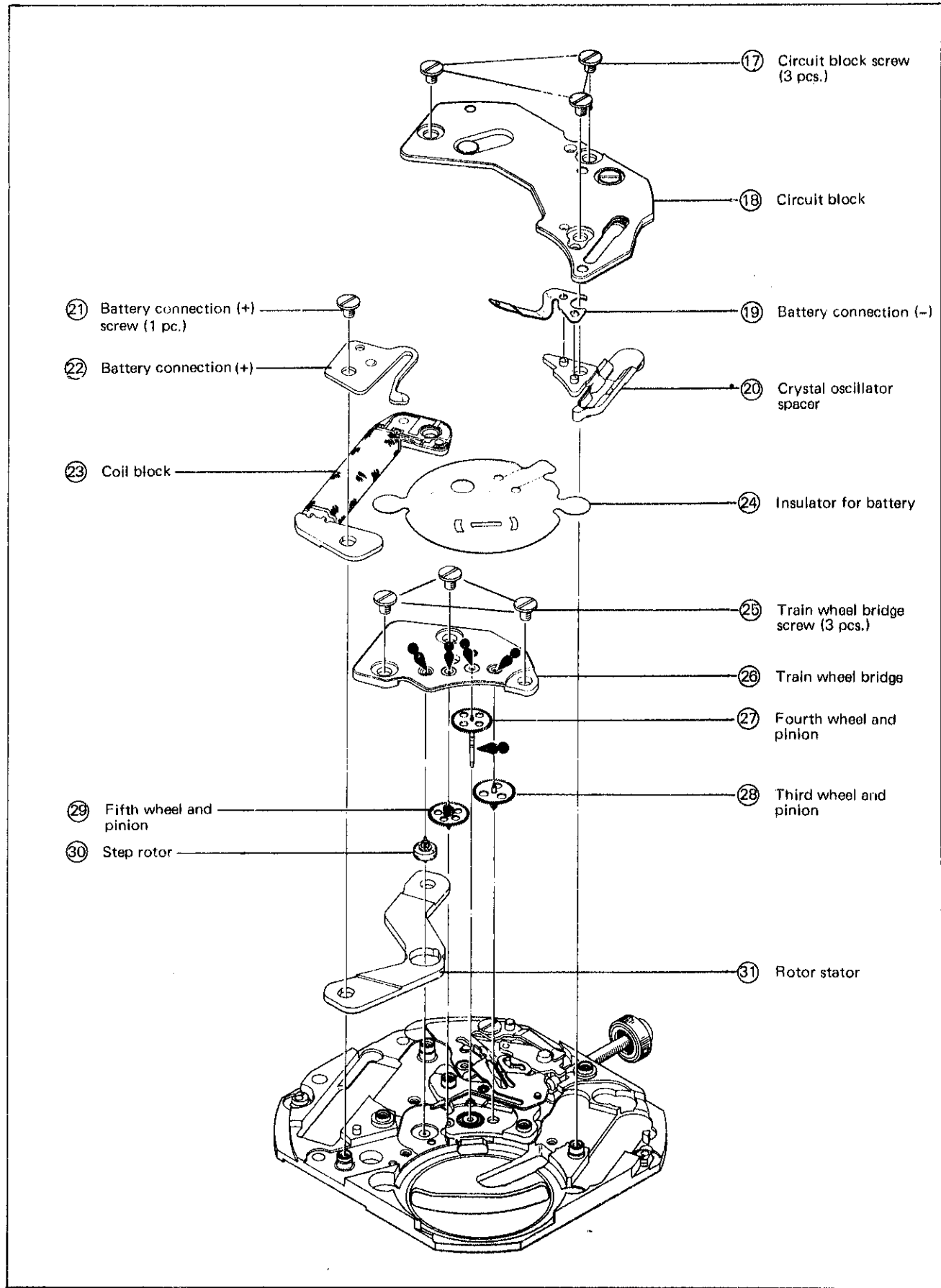
● Disassemble the movement from the case.



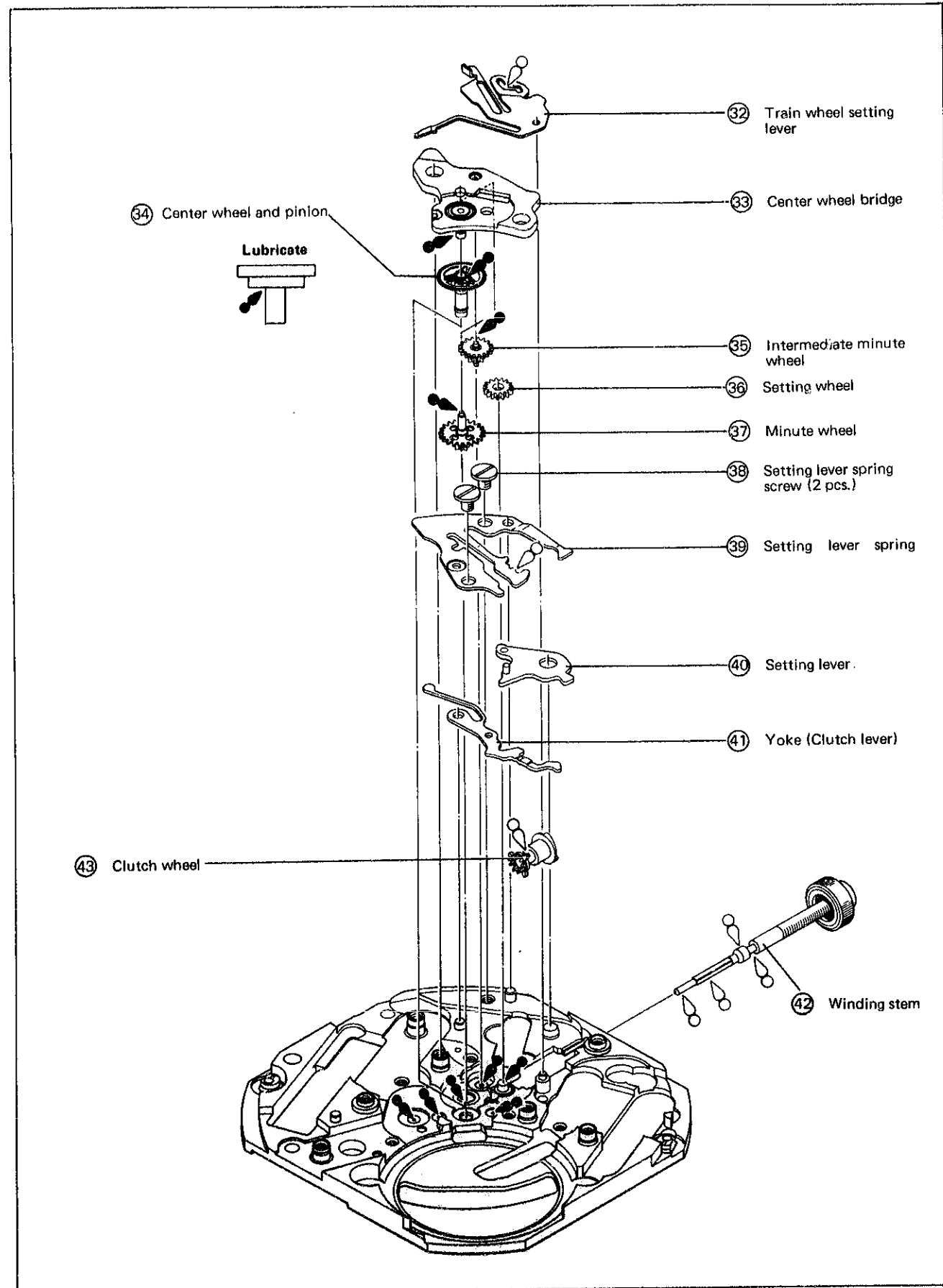
1. Calendar mechanism



2. Circuit block, coil block and gear train



3. Setting mechanism



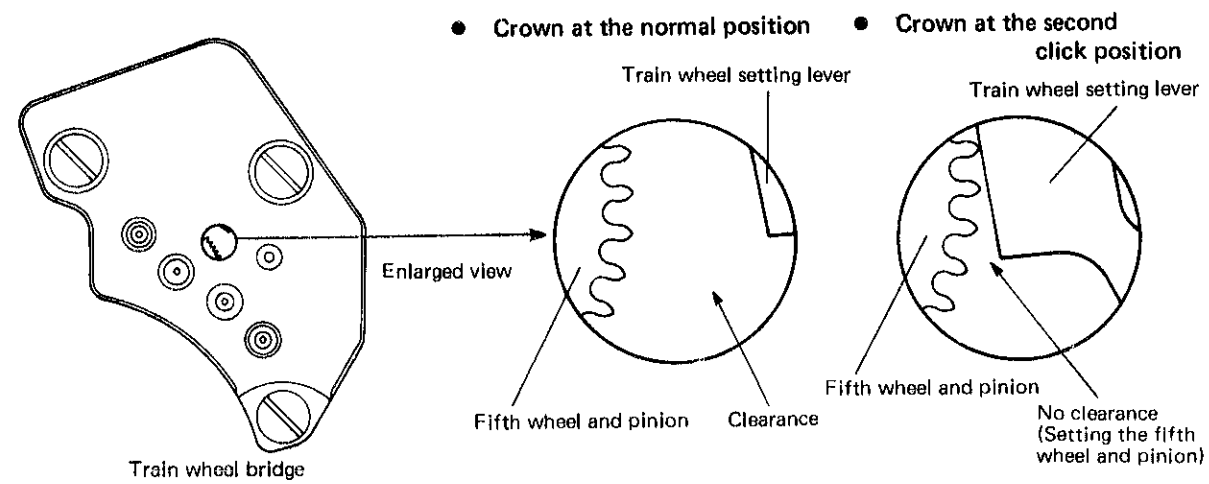
IV. CHECKING AND ADJUSTMENT

- Refer to the "SEIKO QUARTZ TECHNICAL GUIDE, GENERAL INSTRUCTION for Analogue Watches" for details.

Procedure	
CHECK OUTPUT SIGNAL	Result: One second blinking: Normal One second does not blink: Defective
CHECK HAND CONDITION	
CHECK BATTERY VOLTAGE	Result: More than 1.5V: Normal Less than 1.5V: Defective
CHECK BATTERY CONDUCTIVITY	
CHECK CIRCUIT BLOCK CONDUCTIVITY	
CHECK COIL BLOCK	Result: 1.5kΩ ~ 3.5kΩ: Normal Less than 1.5kΩ or over 3.5kΩ: Defective
CHECK RESET CONDITION AND TRAIN WHEEL SETTING CONDITION	
<ol style="list-style-type: none"> 1. Check to see if the second hand stops immediately after the crown is pulled out to the second click and if it starts promptly after one second when the crown is pushed in to the normal position. 2. With the crown pulled out to the second click, check for the conductivity between the reset pin and the train wheel bridge by using the Volt-ohm-meter. 	
	Result: Less than 10Ω: Normal More than 10Ω: Defective

Procedure

3. Check for the clearance between the train wheel setting lever and the fifth wheel and pinion.



CHECK GEAR TRAIN MECHANISM

CHECK SETTING MECHANISM AND CALENDAR MECHANISM

CHECK ACCURACY

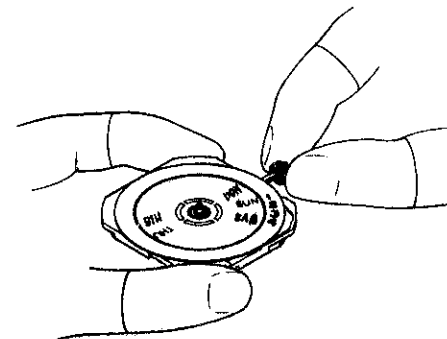
CHECK CURRENT CONSUMPTION

Result:
Less than $2.5\mu\text{A}$: Normal
More than $2.5\mu\text{A}$: Defective

CHECK WATER RESISTANCE

CHECK APPEARANCE AND FUNCTIONING

When checking the setting of the date dial with the movement, be sure to check it so as not to touch the finger to it. The date dial of this calibre is larger than the main plate. Therefore, if the setting of the date dial is made while holding it with the finger, the parts (hour wheel, etc.) may be damaged.



Be careful not to touch the finger to the date dial.

All procedures of Disassembling, Reassembling, Checking and Adjustment are completed.