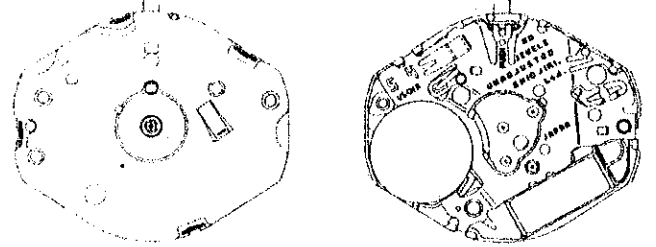


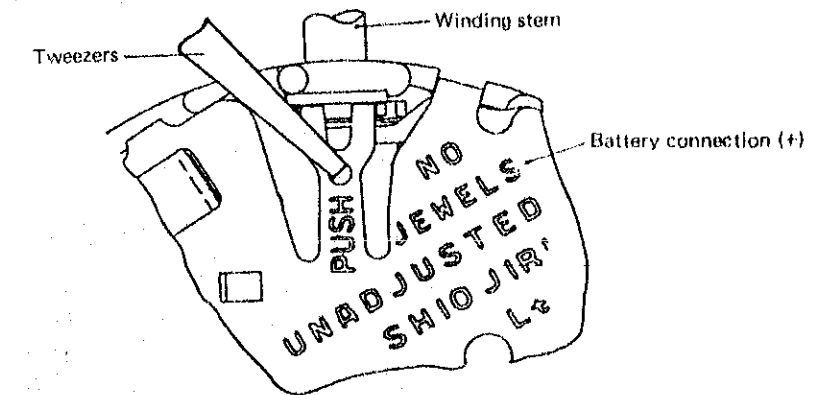
SERVICE GUIDE CAL. V50 SERIES

1. SPECIFICATIONS

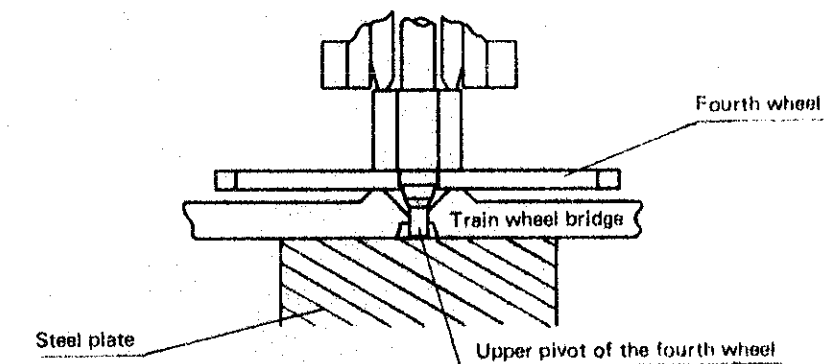
Cal. No.		V500A	V501A
Item			
Movement		 <p>The illustrations refer to Cal. V501A. (x 2.0)</p>	
Movement size	Outside diameter	15.3mm between 3 o'clock and 9 o'clock sides 18.2mm between 6 o'clock and 12 o'clock sides	
	Casing diameter	15.3mm between 3 o'clock and 9 o'clock sides 17.8mm between 6 o'clock and 12 o'clock sides	
	Height	2.99mm	
Time indication		2 hands	3 hands
Driving system		Step motor	
Additional mechanism		Electronic circuit reset switch	
Loss/gain		Monthly rate at normal temperature range: less than 30 seconds	
Regulation system		Nil	
Measuring gate by Quartz Tester		Use 10-second gate.	
Battery		SEIKO SR626SW MAXELL SR626SW SONY SR626SW MATSUSHITA SR626SW EVEREADY 377 Voltage: 1.55V Battery life is approximately 2 years.	
Jewels		0 jewel	

2. REMARKS ON AFTER-SALES SERVICING

- 1) After-sales servicing system
The movement parts are fixed by heat-treatment and no screws are used. Therefore, disassembling or assembling of the movement is impossible and the movement parts cannot be supplied.
 - Models with a one-piece case
Replace the watch completely with a new one.
 - Models other than using a one-piece case
If repair of the movement is required, the movement must be completely replaced with a new one.
- 2) Notes on removing the winding stem
While pushing the indented portion of the battery connection (+) marked with "PUSH O" in the illustration below with a tip of tweezers or the like, pull out the winding stem.



- 3) Notes on installing the winding stem
While pushing the indented portion of the battery connection (+) marked with "PUSH O" in the illustration above with a tip of tweezers or the like, install the winding stem. Otherwise, the main plate may be damaged.
- 4) Notes on installing the hands
Place the movement on a flat steel plate or the like so that the upper pivot of the fourth wheel directly touches the steel plate as shown in the illustration below, and fix in the hands. Otherwise, the fourth wheel and train wheel bridge may be damaged.



3. VALUE CHECKING

- Current consumption

Use the SEIKO Digital Multi-Tester S-840A (with Multi Adaptor MA-40A).

Range to be used: μA	Result:
Red probe Battery connection (+)	For the whole of the movement Less than $1.6\mu\text{A}$
Black probe Battery connection (-)	

Note: To drive the movement with an external power supply, connect the (+) and (-) terminals of the power supply to the battery connections (+) and (-), respectively. Then, press the battery connection (-) against the main plate. Otherwise, the voltage may not be applied to the circuit block and the movement may not operate, either, as the movement is so constructed that the complete conductivity can be obtained when the battery installed presses the battery connection (-) against the main plate. Also, as the main plate is made of plastics, the movement may not operate even if the (+) terminal of the power supply is connected to the winding stem.

