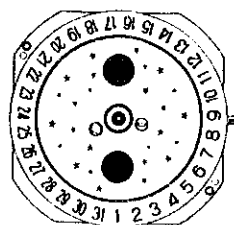
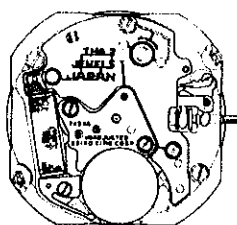


PARTS CATALOGUE

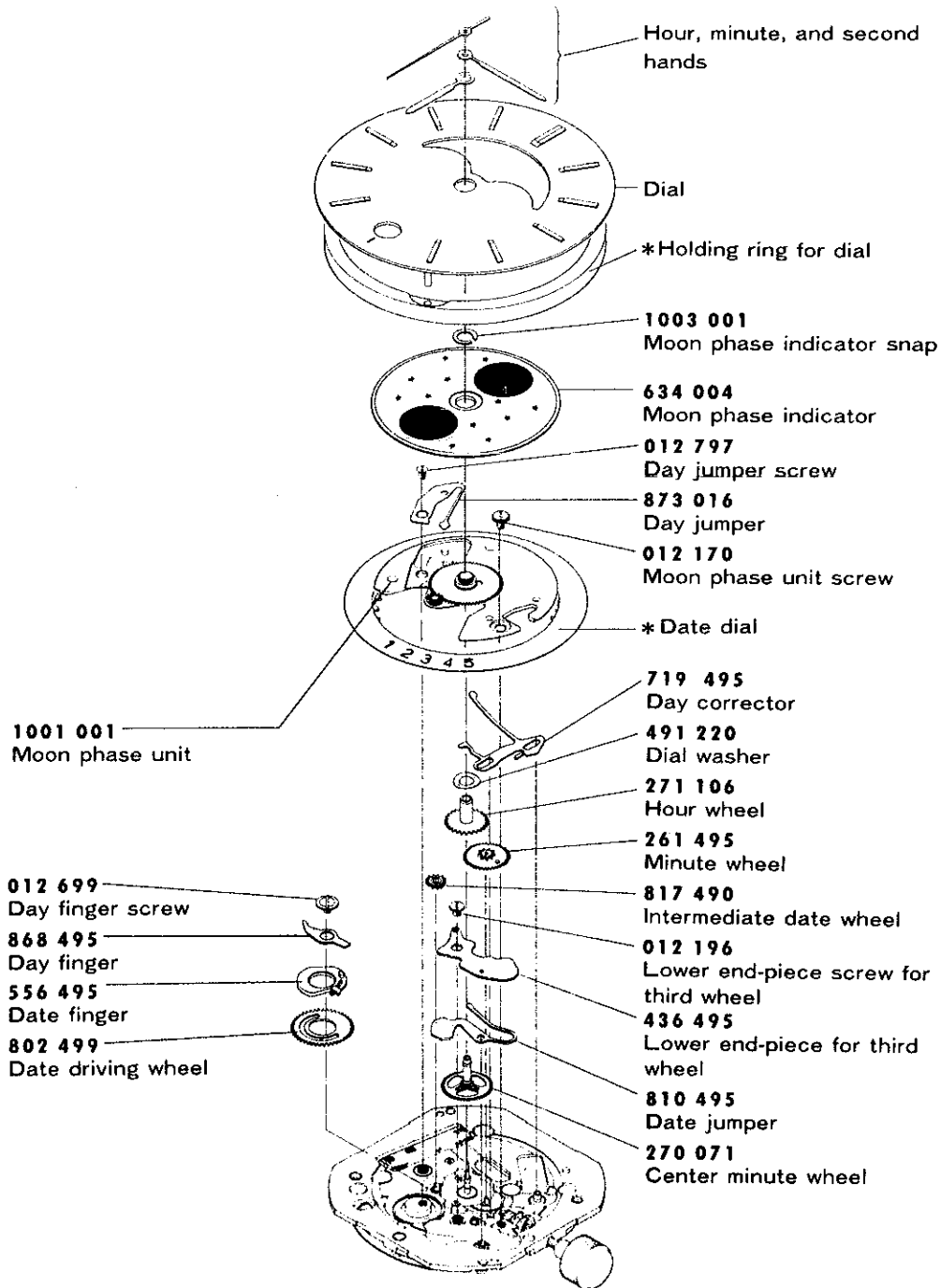
Cal. 7454A

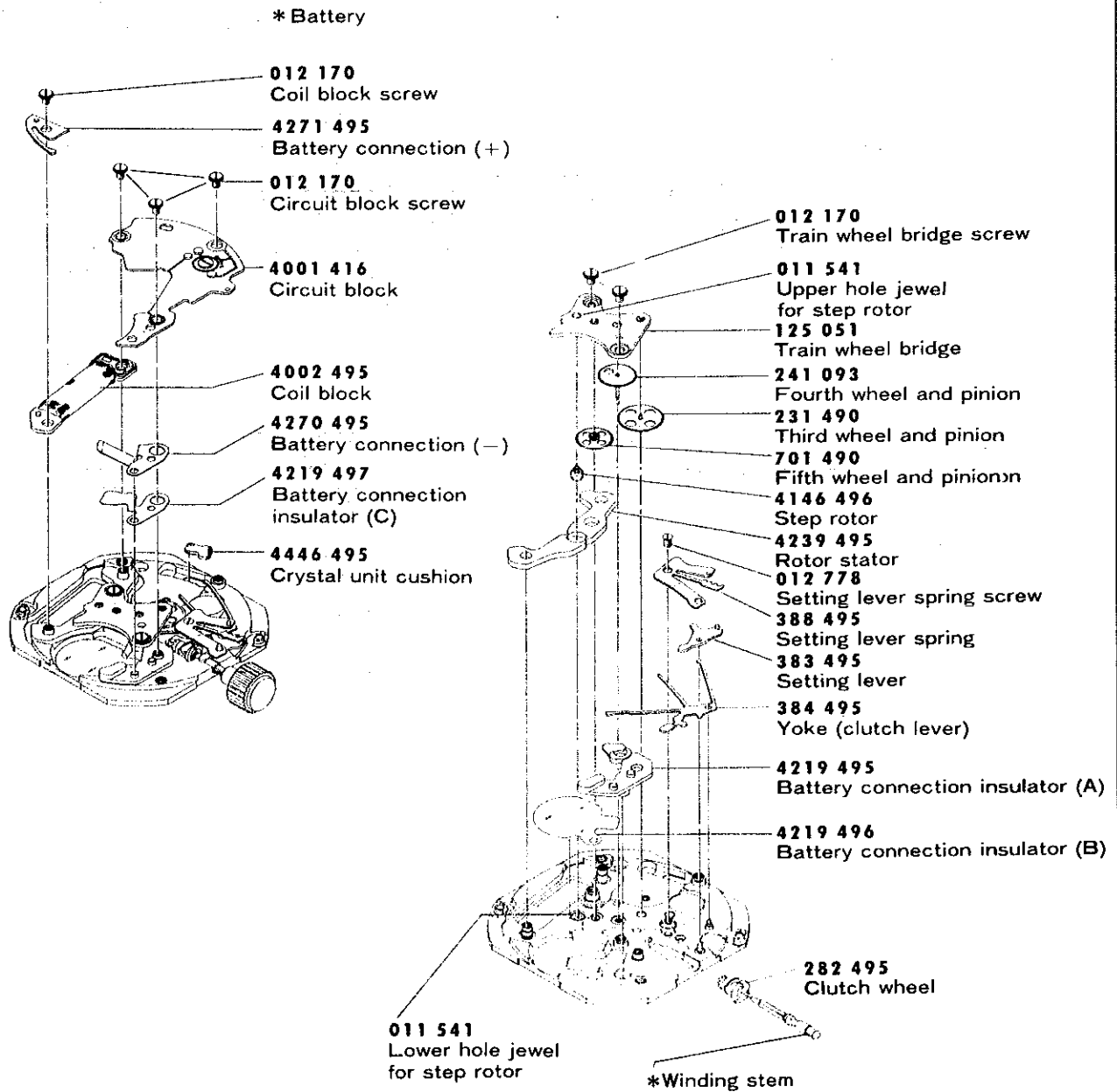
Cal. 7454A (2j)



HATTORI SEIKO CO., LTD.

Cal. 7454A





* Please see remarks on the reverse page.

Remarks :

Winding stem

☆354 076.....The type of winding stem is determined based on the design of cases and dials.
Check the case number and refer to "SEIKO Quartz Casing Parts Catalogue" to choose a corresponding winding stem.

Date dial

☆801 145 (Black figures on white background)
☆801 350 (White figures on black background)
☆801 351 (Black figures on gold background)
☆801 352 (Gold figures on black background)







..... Used when the crown is located at 3 o'clock position and the calendar frame is at 6 o'clock position.





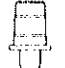

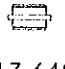



Holding ring for dial

☆884 151.....The type of a holding ring for dial is determined based on the design of cases.
If the shape of holding ring for dial is different from the photograph, check the case number and refer to "SEIKO Quartz Casing Parts Catalogue" to choose a corresponding holding ring for dial.

Battery

☆SEIZAIKEN TR721SW.....The substitute battery might be authorized in the future.
In that case please refer to separate "BATTERY LIST FOR SEIKO QUARTZ WATCHES".

 012 170	Train wheel bridge screw Coil block screw Circuit block screw Moon phase unit screw
 012 196	Lower end-piece screw for third wheel
 012 469	Case screw
 012 699	Day finger screw
 012 778	Setting lever spring screw
 012 797	Day jumper screw

 017 549	Minute wheel pin
 017 634	Tube for train wheel bridge (A)
 017 636	Tube for coil block screw (A)
 017 637	Tube for coil block screw (B)
 017 638	Tube for circuit block screw (A)
 017 639	Tube for circuit block screw (B)
 017 640	Tube for setting lever spring screw
 017 641	Tube for lower end-piece screw
 017 657	Tube for train wheel bridge (B)
 017 972	Eccentric dial pin