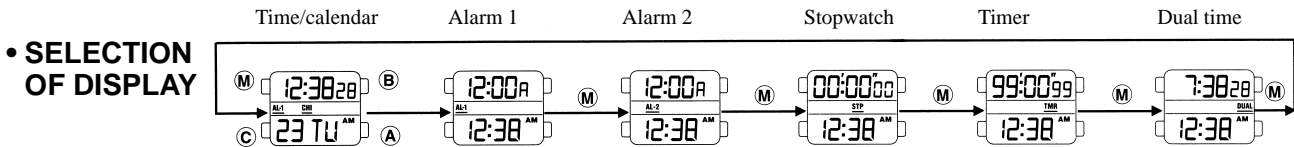


ADEC QUARTZ Model No. HT2 CAL. No. DC9A INSTRUCTION MANUAL

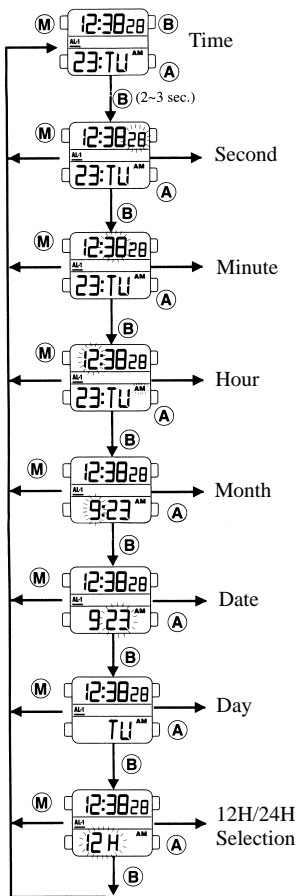
SPECIFICATION

- **DISPLAY**
 - TIME** Hour/Min/Sec, AM/PM 12/24H
 - CALENDAR** Day/Date (Month/Date)
 - ALARM 1** Hour/Min (AM/PM)
 - ALARM 2** Hour/Min (AM/PM)
 - STOPWATCH** Min, Sec, 1/100 Sec (Up to 24 hours)
 - TIMER** Min/Sec (up to 99 min)
 - DUAL TIME** Hour/Min, Sec, AM/PM
 - ADDITIONAL FUNCTION** EL internal illumination function
- **BATT. LIFE** About 3 years (CR2016x1)

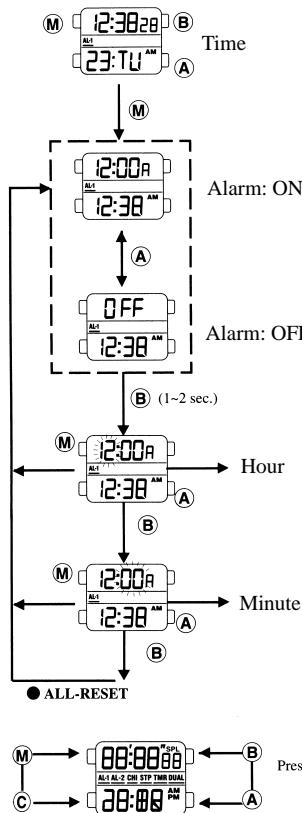
The power cell is a monitor power cell that has been factory-installed. For this reason it may wear out before the 3 years from the time of purchase is up.



1 HOW TO SET TIME AND CALENDAR

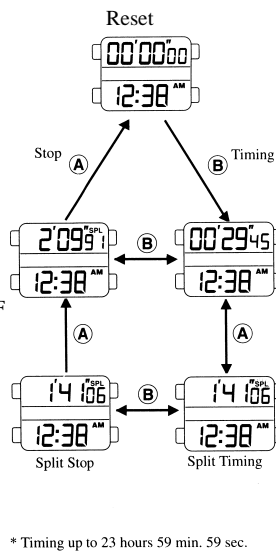


2 ALARM SETTING (1 & 2)



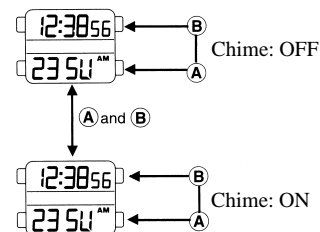
<Using the EL Function>
 • Pressing button (C) causes EL internal illumination to be turned on.

3 STOPWATCH



* Timing up to 23 hours 59 min. 59 sec.

6 CHIME



(A) : Timer Set/Reset
 (B) : Start/Stop

5 DUAL TIME SETTING

