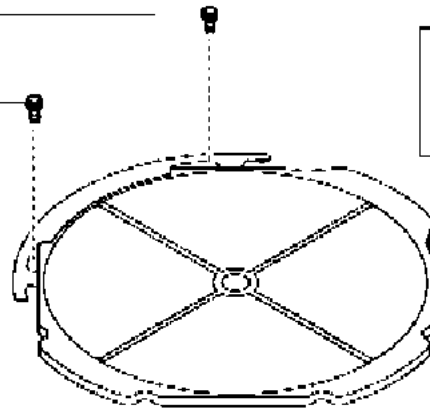


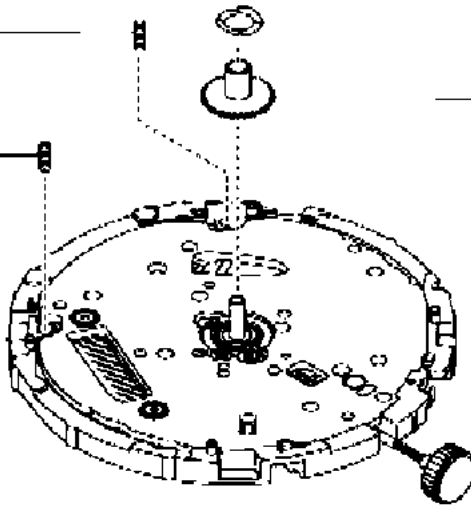
107-961

— 902-247
(FOR ONE PIECE CASE TYPE/
外装上開タイプ用)



310
(APPEARANCE PARTS/外装部品)

902-247



078-04

075-463

